

D170



D170

Crawler Bulldozer

D170 (export type) bulldozer is bulldozer with hydraulic transmission and electric control shift developed by XCMG for overseas market. This project inherits XCMG's excellent product quality, and its performance is stable and reliable. It is mainly applicable to excavating, backfilling, earthwork pushing and other operations for road, railway, airport, river and other grounds and it is an indispensable construction machinery for construction of national defense projects, urban buildings, water conservancy projects, etc. This equipment adopts intelligent control, limit load, hydraulic pilot control of shovel blade, electric control shift, construction data management and other advanced technologies. It is a construction equipment with advanced technologies, high working efficiencies, convenient and flexible operations and high reliabilities

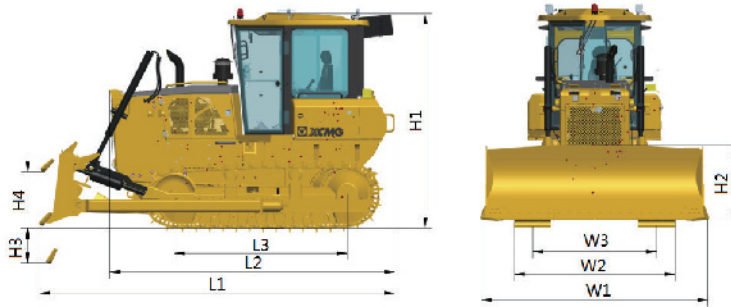
Performance and characteristics

- There is a 7-inch touch LCD color display with Chinese display of human-computer interaction interface. The main screen of the display displays the engine parameters, walking status, gear information, fault alarm and other parameters of the whole machine of the engine in real time. The main and secondary pages can be touched for convenient switching, and the controller status and fault diagnosis can be queried on the secondary page, on which the working hours, average fuel consumption, maintenance, fault status and other information can be conveniently queried.
- It is equipped with Weichai WD10G178E25 engine, meeting non-road machinery National-II emission requirements, which is powerful in power, efficient in energy utilization and easy in maintenance. The construction efficiency of complete machine is greatly improved, and the comprehensive fuel consumption is lower, saving the use cost for users.
- Optimized transmission system is equipped with transmission electric control shift, efficient and simple construction and high transmission efficiency;
- The spacious cab has large space and wide vision and is equipped with standard anti-roll cab with high safety;
- The mechanism of complete machine adopts the mature design and technology concept of XCMG to ensure the quality of products; all filters are easy to replace and convenient to maintain; the side door of the hood is big and the aperture is open, making overhaul convenient and comfortable; the number of mechanical connecting rods is reduced, the lubrication points are reduced, all lubrication points are easy to access and the maintenance is easier.

Main dimensions

Unit: mm

Model	L1	L2	L3	H1	H2	H3	H4	W1	W2	W3
D170	5450	4390	2635	3300	1149	540	1095	3455	2390/2440/2490	1880
D170LGP	5580	4390	2935	3380	960	485	1010	4150	3250/3400	2300



Main specifications

Item	Content	Unidad	D170	D170LGP
Machine Performance	Operating weight	Kg	17400	19400
	Minimum turning radius	mm	2800	3200
	Ground pressure	kPa	56,51,47	28,25
	Overall dimensions	mm	5450x3455x3300	5580x4150x3380
Engine	Model		WD10G178E25	WD10G178E25
	Rated power/Rated speed	(kW/rpm)	131/1850	131/1850
Propel	Forward gear 1	km/h	3.6	3.6
	Forward gear 2	km/h	6.3	6.3
	Forward gear 3	km/h	10.2	10.2
	Reverse gear 1	km/h	4.7	4.7
	Reverse gear 2	km/h	8.2	8.2
	Reverse gear 3	km/h	13.0	13.0
	Ground clearance	mm	450	450
Chassis system	Track center distance	mm	1880	2300
	Crawler width	mm	510;560;610	950,1100
	Ground contact length of crawler	mm	2635	2935
	Number of track shoes	mm	39	42
	Chain pitch	mm	203	203
	Number of track rollers(one side)	piece	7	7
Tank capacities	Fuel tank	L	350	350
	Hydraulic oil tank	L	110	110
Working device	Blade type		Straight blade	Straight blade
	Blade width	mm	3455	4150
	Blade height	mm	1149	960
	Blade capacity	m ³	4.5	3.8
	Blade lifting height above the ground	mm	1095	1010
Ripper	Blade depth	mm	540	485
	Ripper type		Three-tooth (optional)	—
	Working depth	mm	572	—
	Ripper lifting height above the ground	mm	592	—