



HV51ST

HV61ST

HV80ST

HV80

HS67ST

Walk-behind Roller

Easy to handle and highly efficient for compaction of soil and asphalt on all types of job sites

High efficiency

- Small wall clearance and ample curb clearance allows the closest possible approach to any obstacles.
- Easily adjustable sprinkler system and wide water pipes splashes water onto both drums from edge to edge.
- All commands for operating the machine are centralized and can be made from the operation handle. HS model is equipped with a power steering system using single switch operation allowing 15 degree turning angle to both sides.

Safety provisions

- Pin lock system on handle provide safety when handle is folded.
- Positive pin lock brake is provided for parking.

Easy maintenance

- Easy water tank filling and draining is possible with large diameter water cap and chained drain plug at the bottom.
- Open type side guard protects the engine from obstacles and allows easy access for maintenance of the engine.



Our communication mark "G" represents SAKAI's compact machines, which offer Growth and concern for the Green environment, on a Global Ground.

See in detail at Sakai Web site

www.sakainet.co.jp



• HS67ST (Power steering model)

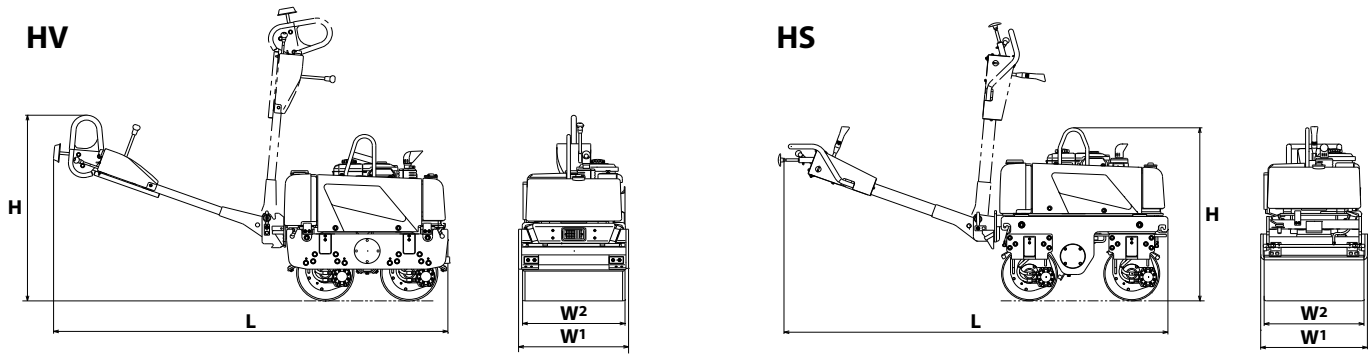


- Left: Centralized operation handle (HV Type)
- Right: Steering switch (HS Type)



• Large diameter of water cap

HV/HS Series



Specifications

Model			HV51ST	HV61ST
Weights	Overall Length	L	620 (1365)	660 (1455)
	Overall Width	W ¹	2430 (96)	2430 (96)
	Overall Height	H	1185 (47)	1185 (47)
	Compacting Width	W ²	595 (23.5)	635 (25)
Performance	Frequency	Hz (vpm)	55 (3300)	55 (3300)
	Centrifugal Force	kN (kgf) lb	9.8 (1000) 2205	11.8 (1200) 2655
	Work Speed	km/h (mph)	0 - 3.5 (0 - 2.2)	0 - 3.5 (0 - 2.2)
	Gradability	% (deg.)	38 (21)	38 (21)
Power Line		Hydrostatic Type	Hydrostatic type	
Vibrating System		Eccentric shaft type	Eccentric shaft type	
Brake System		Mechanical, pin lock type	Mechanical, pin lock type	
Rolling System		Tandem type both drum drive	Tandem type both drum drive	
Engine	Model		KUBOTA E75-ENB3	KUBOTA E75-ENB3
	Type		Water-cooled 4cycle diesel	Water-cooled 4cycle diesel
	Max. Output	kW(PS)/min ⁻¹	4.8 (6.5) / 2500	4.8 (6.5) / 2500
	Starting System		Electric Start	Electric Start
Fuluid Capacity	Fuel Tank	L (gal)	4.8 (1.3)	4.8 (1.3)
	Sprinkler (Gravity)	L (gal)	30 (7.9)	30 (7.9)
Front Lighting System		○	○	
Power Steering		-	-	

Model			HV80ST	HV80
Weights	Overall Length	L	780 (1720)	760 (1675)
	Overall Width	W ¹	2620 (103)	2620 (103)
	Overall Height	H	1180 (46)	1180 (46)
	Compacting Width	W ²	710 (28)	710 (28)
Performance	Frequency	Hz (vpm)	55 (3300)	55 (3300)
	Centrifugal Force	kN (kgf) lb	15.7 (1600) 3525	15.7 (1600) 3525
	Work Speed	km/h (mph)	0 - 3.5 (0 - 2.2)	0 - 3.5 (0 - 2.2)
	Gradability	% (deg.)	38 (21)	38 (21)
Power Line		Hydrostatic type	Hydrostatic type	
Vibrating System		Eccentric shaft type	Eccentric shaft type	
Brake System		Mechanical, pin lock type	Mechanical, pin lock type	
Rolling System		Tandem type both drum drive	Tandem type both drum drive	
Engine	Model		KUBOTA EA8-NB	KUBOTA EA8-N
	Type		Water-cooled 4cycle diesel	Water-cooled 4cycle diesel
	Max. Output	kW(PS)/min ⁻¹	5.8 (7.7) / 2500	5.8 (7.7) / 2500
	Starting System		Electric Start	Manual Start
Fuluid Capacity	Fuel Tank	L (gal)	7.5 (2.0)	7.5 (2.0)
	Sprinkler (Gravity)	L (gal)	40 (10.6)	40 (10.6)
Front Lighting System		-	-	
Power Steering		-	-	

Model			HS67ST
Weights	Overall Length	L	750 (1655)
	Overall Width	W ¹	2475 (97)
	Overall Height	H	685 (27)
	Compacting Width	W ²	635 (25)
Performance	Frequency	Hz (vpm)	55 (3300)
	Centrifugal Force	kN (kgf) lb	11.8 (1200) 2655
	Work Speed	km/h (mph)	0 - 3.5 (0 - 2.2)
	Gradability	% (deg.)	38 (21)
Power Line		Hydrostatic Type	
Vibrating System		Eccentric shaft type	
Brake System		Mechanical, pin lock type	
Rolling System		Tandem type both drum drive	
Engine	Model		KUBOTA E75-ENB3
	Type		Water-cooled 4cycle diesel
	Max. Output	kW(PS)/min ⁻¹	4.8 (6.5) / 2500
	Starting System		Electric Start
Fuluid Capacity	Fuel Tank	L (gal)	4.8 (1.3)
	Sprinkler (Gravity)	L (gal)	30 (7.9)
Front Lighting System		-	
Power Steering		○	

* Specifications are subject to change without notice.

* Max. Output shows Maximum output in catalogue of engine manufacturer. It does not always mean max. under operation of the machine.

SAKAI HEAVY INDUSTRIES, LTD. obtain the certification of quality management system ISO9001.



SAKAI HEAVY INDUSTRIES, LTD.

HEAD OFFICE: 1-4-8, SHIBA DAIMON, MINATO-KU, TOKYO JAPAN

TELEPHONE: +81-3-3431-9971

FACSIMILE: +81-3-3436-6212